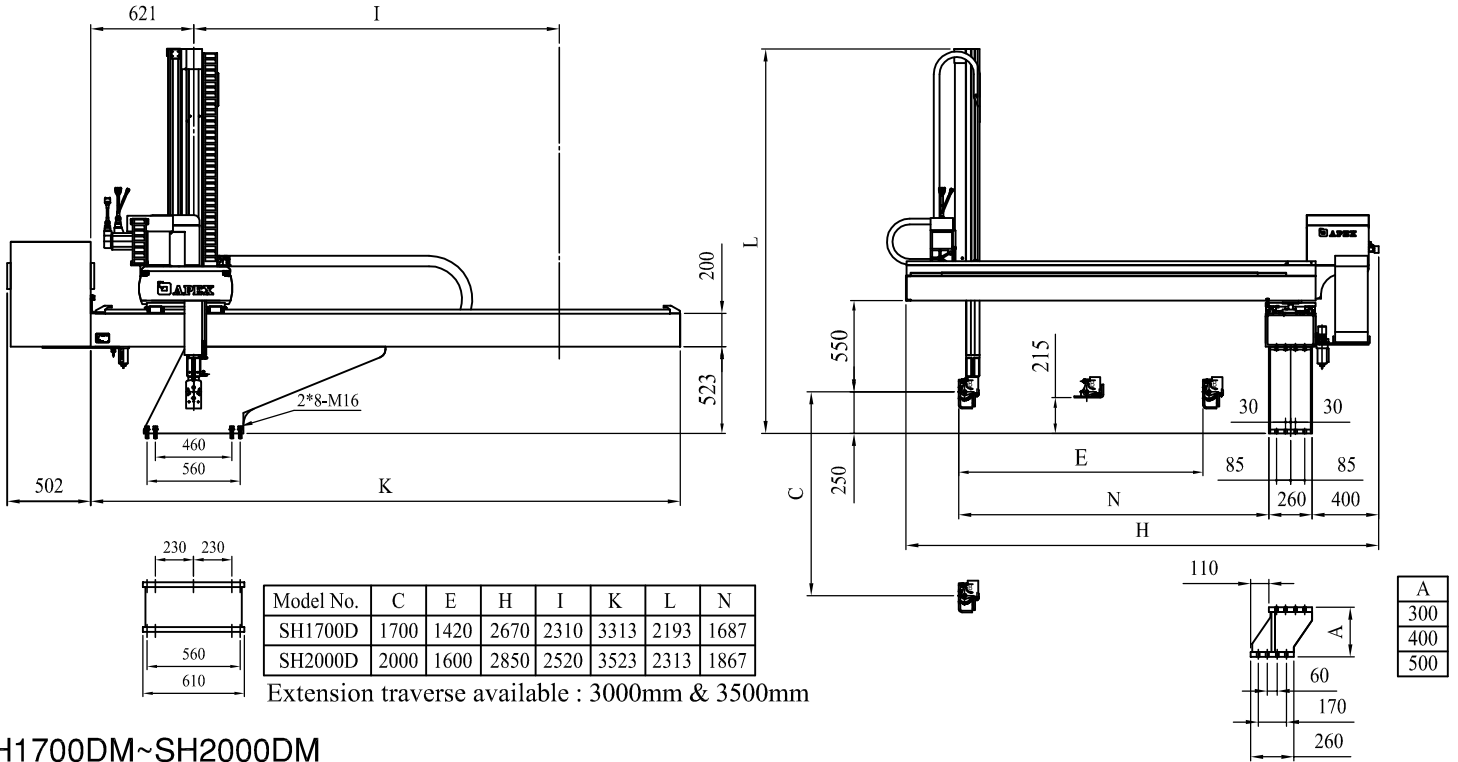
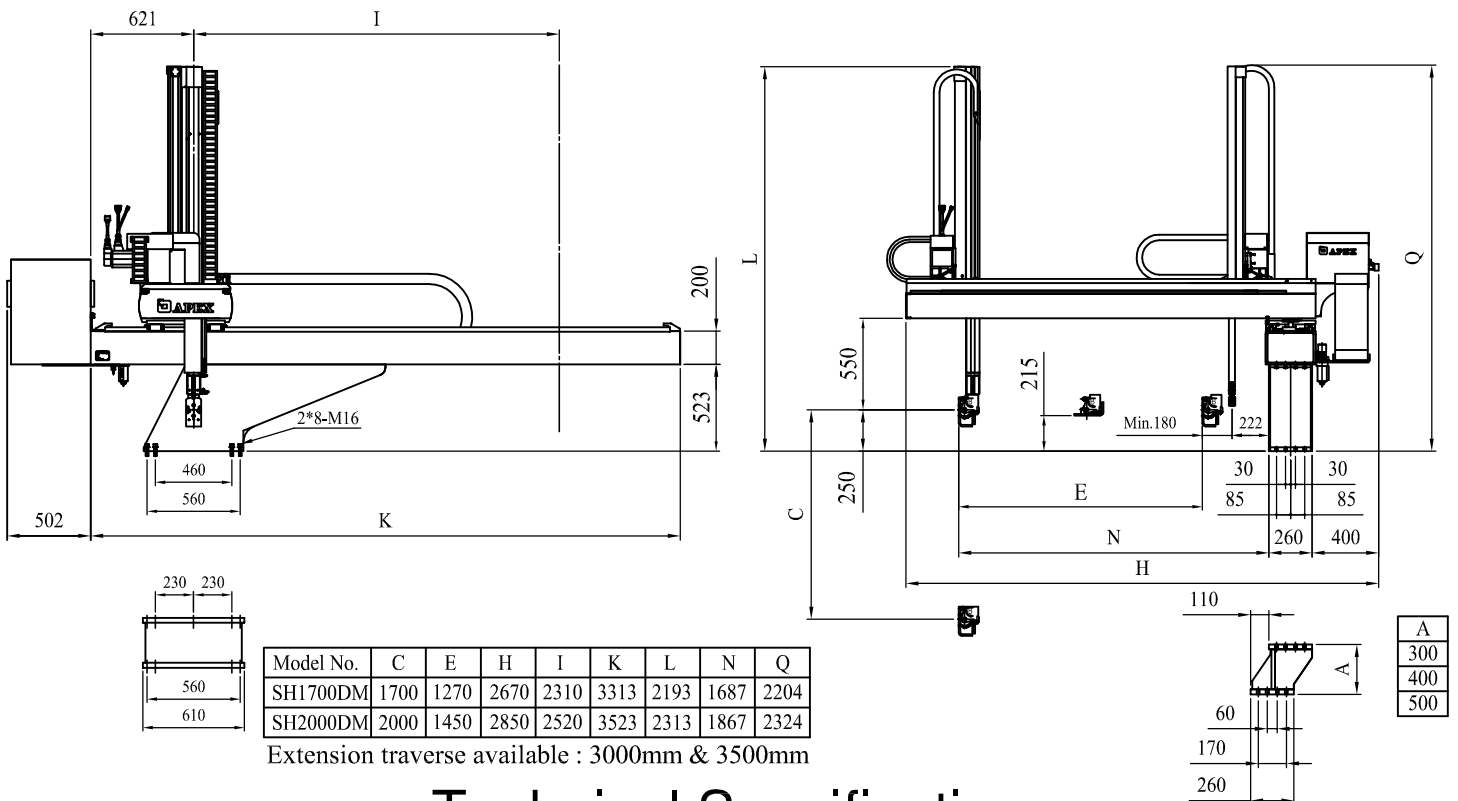


# Mechanical Drawings

SH1700D~SH2000D



SH1700DM~SH2000DM



# Technical Specifications

Model No.		Stroke ( mm )					Max. Payload (Kg)	Net Weight (Kg)	Operating Air Pressure
		Crosswise ( kick )		Vertical		Traverse ( I )			
		Main ( E )	Sub	Main ( C )	Sub				
SH1700D	Telescopic & Single-Arm	1420	-	1700	-	2310	30	0.5 MPa (5 bar)	
SH2000D	Telescopic & Single-Arm	1600	-	2000	-	2520	30		
SH1700DM	Telescopic & Double-Arm	1270	1270	1700	1750	2310	30		
SH2000DM	Telescopic & Double-Arm	1450	1450	2000	2050	2520	30		

Operation Voltage: AC 220V 3 phase